

PREMIER Self Service Kiosk PF-2200D

Made in South Korea with highest quality and standards



PERIPHERAL OPTIONS



EFT Terminal



Wall Mount



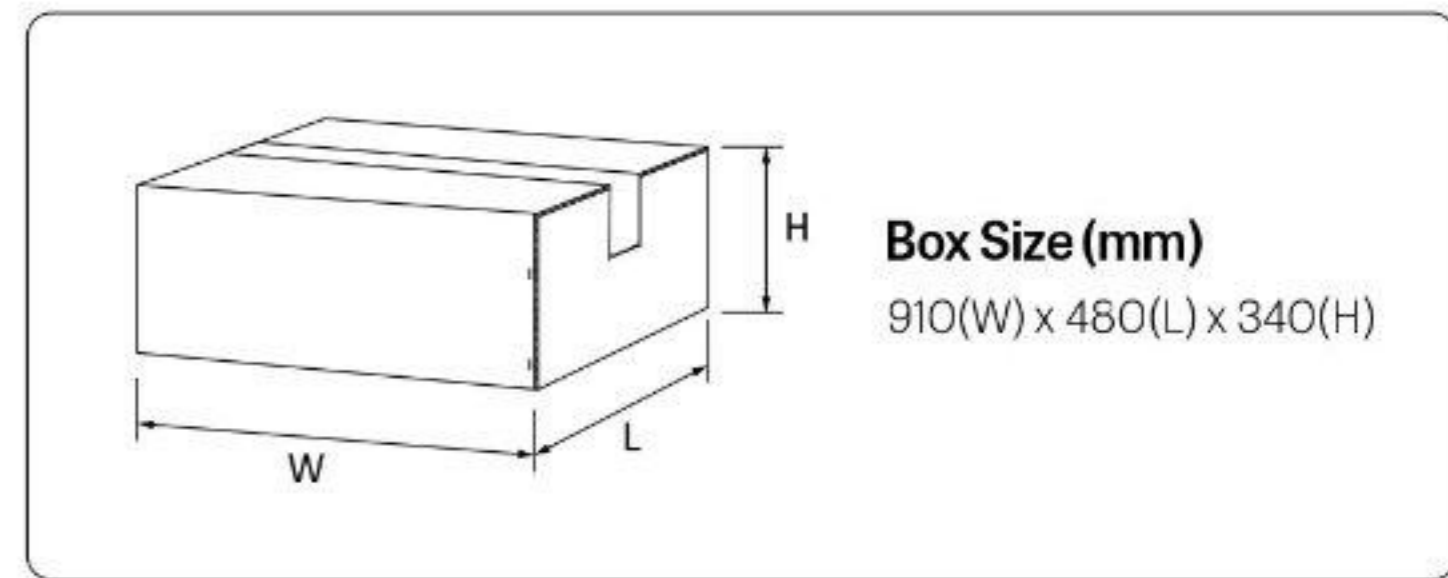
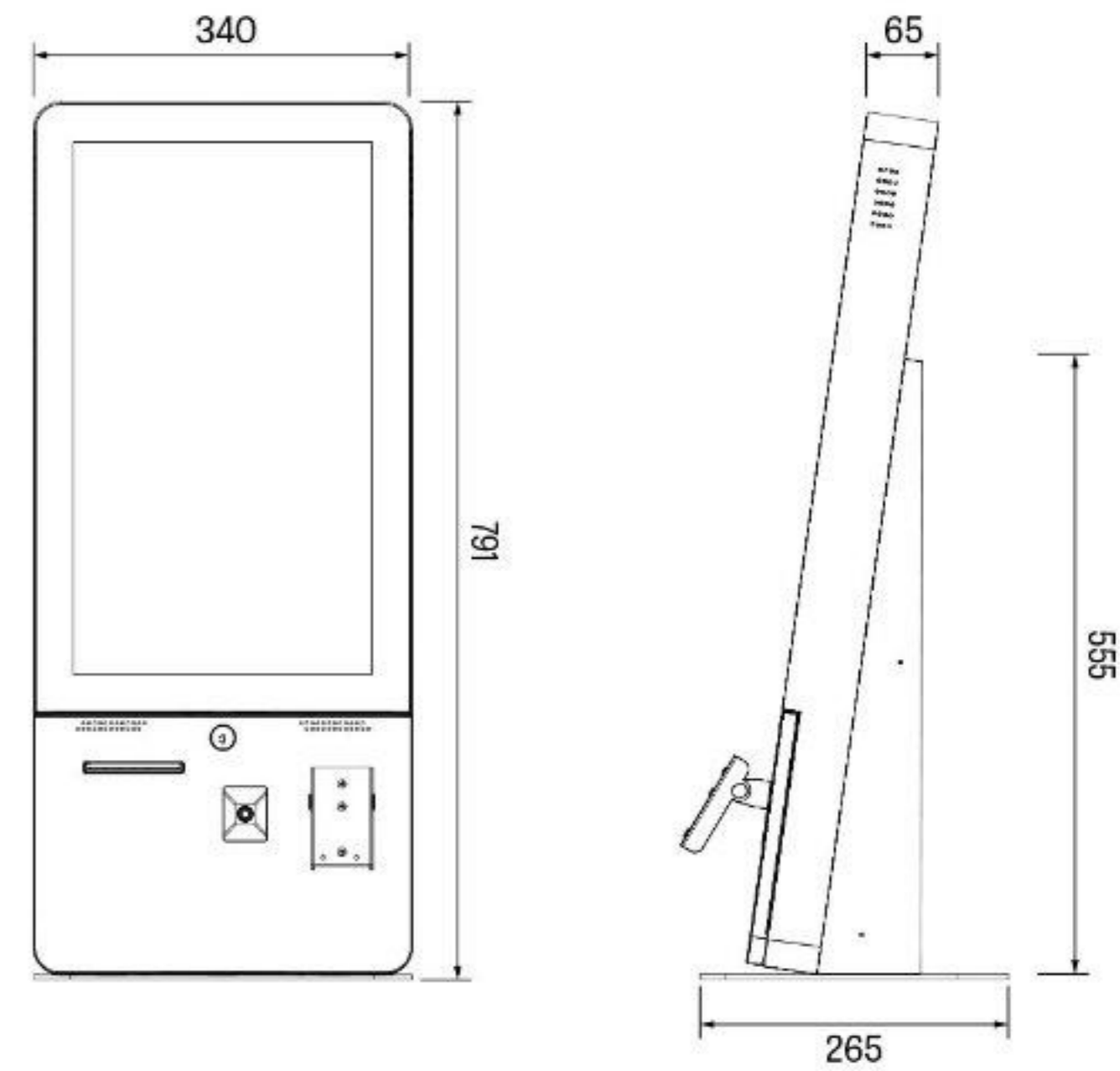
Floor Stand

SPECIFICATIONS

CPU & Chipset	Intel® Celeron® Processor N5095 (4M Cache, Up to 2.90 GHz) Intel® Core™ i3-1115G4 Processor (6M Cache, Up to 4.10 GHz) Intel® Core™ i5-1135G7 Processor (8M Cache, Up to 4.20 GHz) System on Chip (SoC)
Memory	DDR4L 4GB SoDIMM (Up to 16GB)
Storage	M.2 2280 (SATA) SSD 128GB (Up to 512GB) (Optional RAID; Ask for details)
Display	21.5", 1920 x 1080, Luminance : 250 cd/m ² , Backlight : LED
Touch Panel	21.5", Projective Capacitive Touch (Bezelless)
HDMI	1EA (Intel® UHD Graphics)
LAN	2EA (Realtek Gigabit LAN)
Serial	3EA (DSUB-9P x 3EA)
USB	USB 3.0 x 4EA
Audio	1 EA (Line Out)
Speaker	2EA (5W)
Cooler & FAN	Fanless
Power Adaptor	N5095 : 60[W] Adaptor, Input AC 100-240V/50-60HZ, DC 24V/2.5A (DIN 3-Pin) i3/i5 : 96[W] Adaptor, Input AC 100-240V/50-60HZ, DC 24V/4A (DIN 3-Pin)
Angle Tilt	8°
Dimension (mm)	340(W) x 265(L) x 791(H)
Weight (kg)	21kg (Stand : 23kg)

DIMENSION

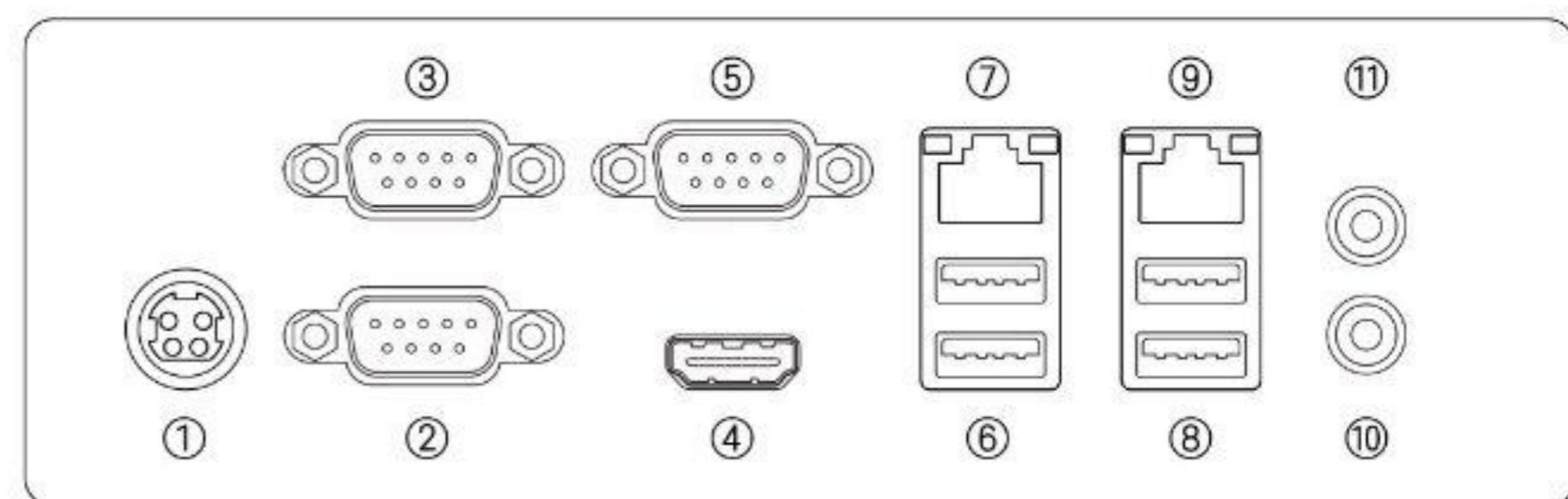
Unit : mm



OPTIONS

OS	Windows 10 IoT / Windows 10 Pro / Linux (CentOS 7.X ~) (Windows 11 Pro PC Version Only)
Printer	3" Thermal (Width 80.0mm, Diameter Ø 80)
EFT Terminal	Ingenico (Lane3000) PAX (S300) EFT Terminal Bracket Customizing
Scanner	2D
Wall Mount	Wall Mount Available
Color	All Black / All White

I/O INTERFACES



Description

- ① DC-IN (24V)
- ② COM#1 (DSUB-9P)
- ③ COM#2 (DSUB-9P)
- ④ HDMI
- ⑤ COM#3 (DSUB-9P)
- ⑥ USB 1&2 (USB 3.0)
- ⑦ LAN #1 (RJ-45)
- ⑧ USB 3&4(USB 2.0)
- ⑨ LAN#2 (RJ-45)
- ⑩ Audio Jack (Mic In)
- ⑪ Audio Jack (Line Out)

COLOR

